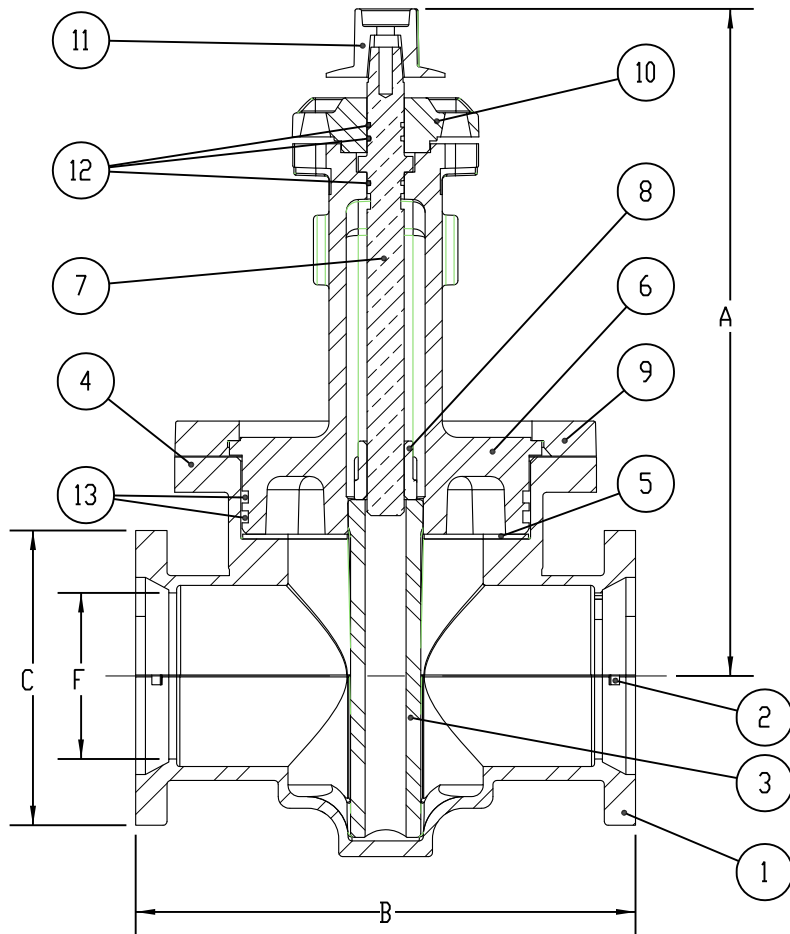


Insert Valve RW-Gate Sizes 4"-12" **TEAM** Industrial Services



NO.	PART	MATERIAL
1	Valve Body Bottom	Ductile Iron ASTM A536 65-45-12
2	Valve Body Gasket	EPDM Rubber
3	Resilient Wedge Gate	Ductile Iron ASTM A536 65-45-12 *
4	Valve Body Top	Ductile Iron ASTM A536 65-45-12
5	Bonnet Gasket	EPDM Rubber
6	Bonnet	Ductile Iron ASTM A536 65-45-12
7	Valve Stem	Bronze ASTM B584
8	Stem Nut	Bronze ASTM B584
9	Bonnet Retainer Ring	Ductile Iron ASTM A536 65-45-12
10	Gland	Ductile Iron ASTM A536 65-45-12
11	2" Operating Nut	Ductile Iron ASTM A536 65-45-12
12	Stem O-rings	EPDM Rubber
13	Bonnet O-rings	EPDM Rubber
	Valve Body Bolts	Zinc Plated or 304SS (optional)
	Valve Body Nuts & Washers	Zinc Plated or 304SS (optional)
	Bonnet Bolts	Zinc Plated or 304SS (optional)
	Bonnet Nuts & Washers	Zinc Plated or 304SS (optional)
		* EPDM Encapsulated ASTM D429

Nominal Size	4"	6"	8"	10"	12"
A	21"	23 1/2"	28 1/4"	36"	41"
B	16"	18"	20"	25"	30"
C	9 1/2"	11 1/4"	13 1/2"	15 3/4"	18"
F	4.5" - 5.26"	6.63" - 7.2"	8.63" - 9.3"	10.75" - 11.3"	12.75" - 13.42"
Weight (approx.)	260 LBS	320 LBS	450 LBS	1000 LBS	1300 LBS

Unique Features

AWWA C515 Valve Specs
 AWWA Standard Turns to Open
 Resilient Wedge Seats on Valve, Not on Pipe
 Ductile Body with NSF 61 Epoxy

Benefits

Installs and Repairs Under Pressure
 Reduces Costly Risks Associated with Shut Downs
 Advocates Trench and Employee Safety
 Capabilities Include Line Stops Up to 84 inches